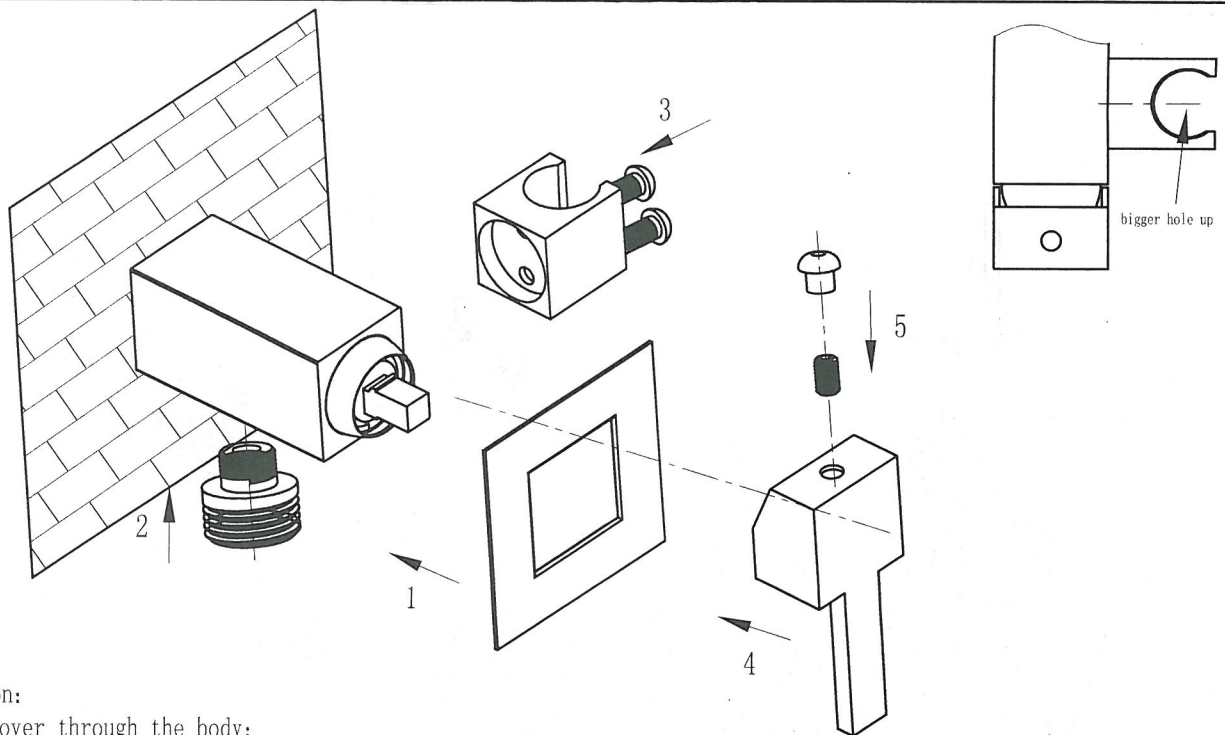


Spare parts List and Installation



Installation:

- 1、Put the cover through the body;
- 2、Connect the Joint to the body screw;
- 3、Put the holder close to the body and fasten two screws;
- 4、Put the handle on the cartridge;
- 5、Fix the hexagon screw with socket wrench then put the blue and red plug in.